

NUMBER 173298

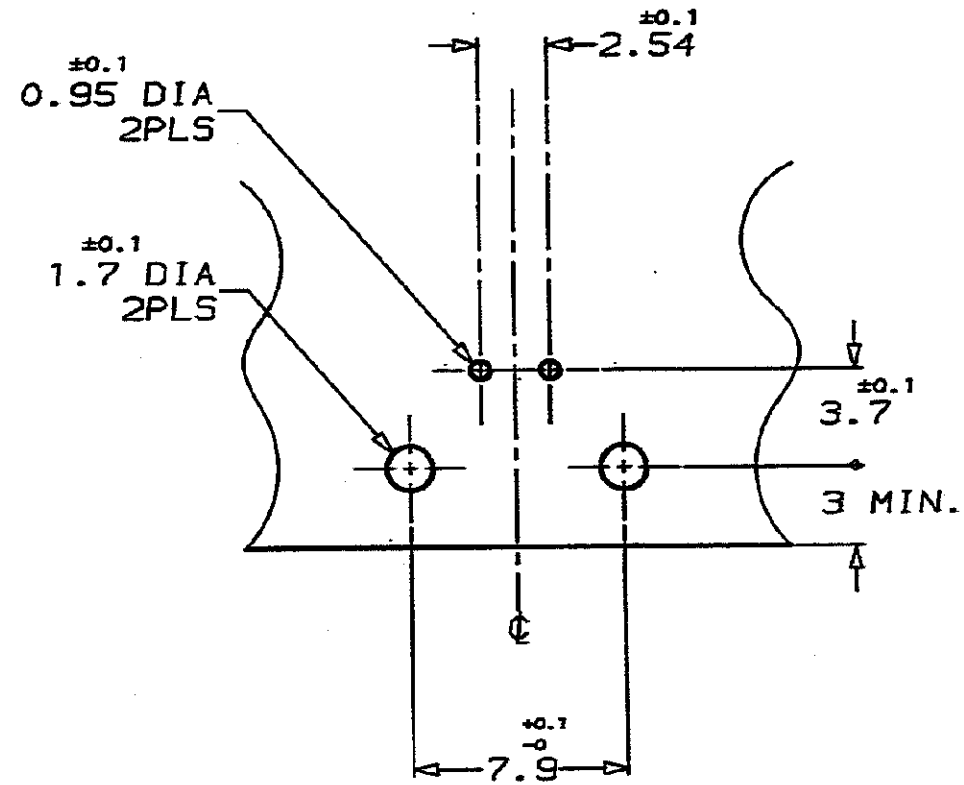
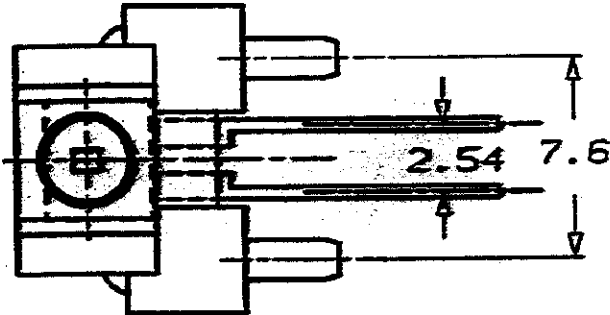
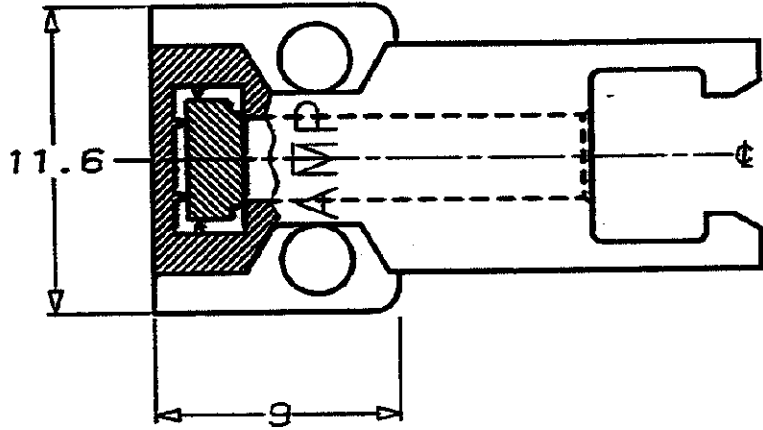


METRIC

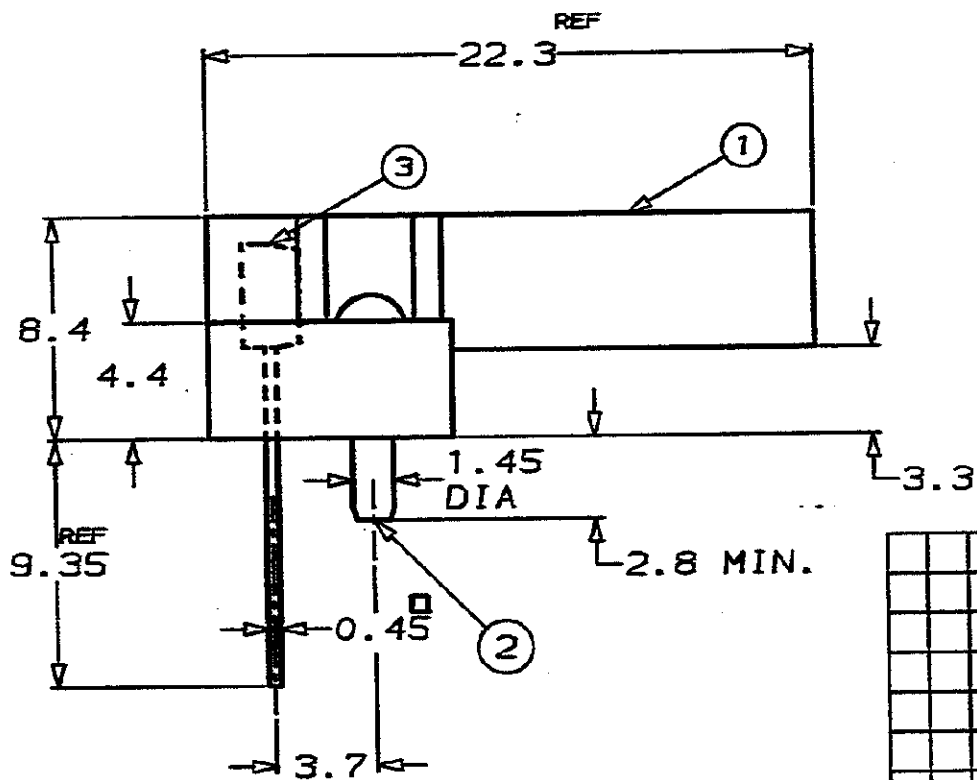
DIMENSIONS IN MILLIMETERS. DO NOT SCALE PRINT

PRINT DATE

REV. 10/85



PCB LAYOUT
(基板取付寸法)



SUPERSEDED BY
173298-1
173298-2
173298-3

			1	-	-	Si-PIN Photo Diode PN335, BY MATSUSHITA (P/N 173752-3)	3
			-	1	-	LED, λp=660nm LN125D, BY MATSUSHITA (P/N 173752-2)	3
			-	-	1	Si-Photo Transistor PN155, BY MATSUSHITA (P/N 173752-1)	3
			2	2	2	SOLDERING POST, DNP (P/N 171948-1)	2
			-	1	-	ADM, MOLD, For Side View, (RED BROWN), DNP (P/N 173080-2)	1
			1	-	1	ADM, MOLD, For Side View, (BLACK), DNP (P/N 173080-1)	1
			-	3	-	2	
						NAME (P/N)	ITEM

173298-*				AMP JAPAN, LTD. Tokyo, Japan				
B SUPERSEDED (J-12238) TK KT 11/28/85				DNP, サイドビュー型素子付き アクティブ・デバイス・マウント				
A ADD.-3 (J-9262) KT EY 7/25/85				ADM, MODULE ASS'Y, For Side View, DNP				
O1 REDRAWN (J-9095) KT ST 11/28/85				GENERAL TOLERANCE		SIZE	LOC	NUMBER
O RELEASED (JBS-9176) KT ST 7/28/85				0-0.05 10 : ±0.2 10-0.05 30 : ±0.25 30-0.05 100 : ±0.3		A3	J	173298
LTR REVISION RECORD DR CHK DATE				DR. K. TAKAHASHI 11/28/85		SCALE	REV.	SHEET
				CHK. S. TAKAGI 11/28/85		4-1	B	1 OF 1
				APP. H. YAMADA 11/28/85				

CUSTOMER DRAWING